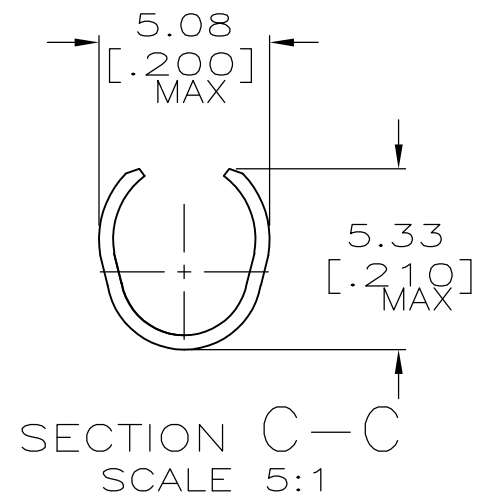
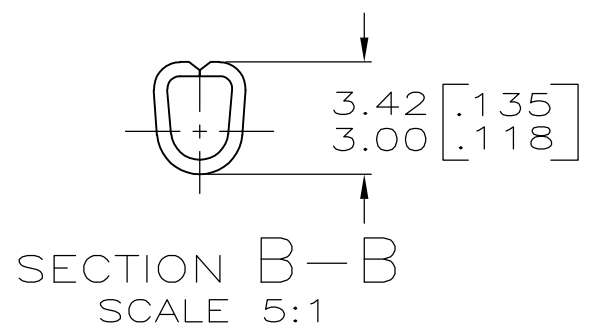
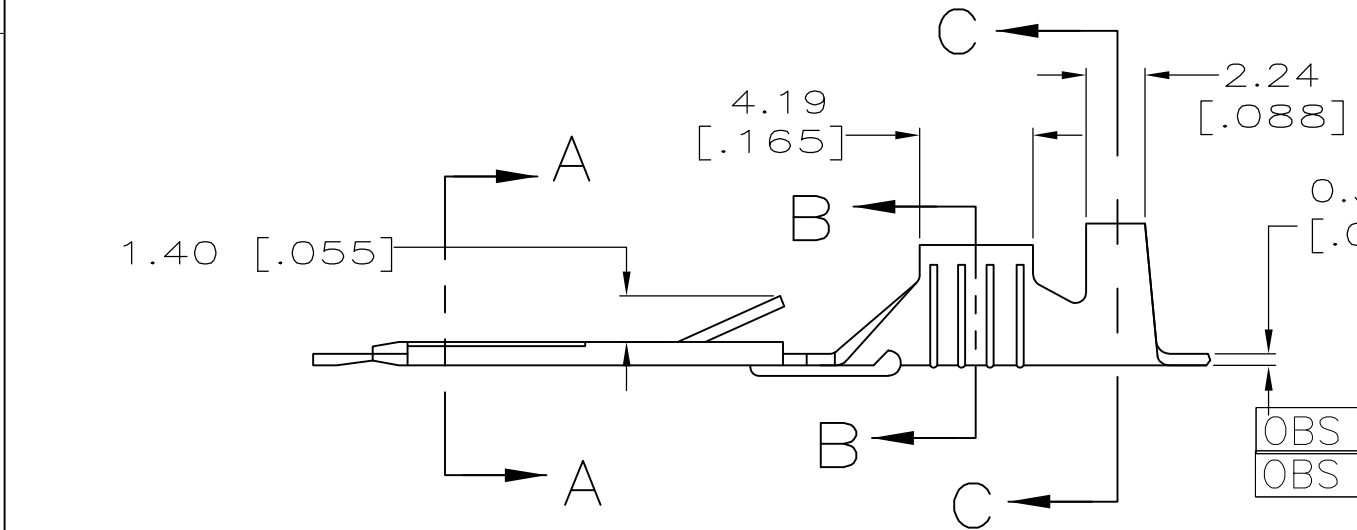
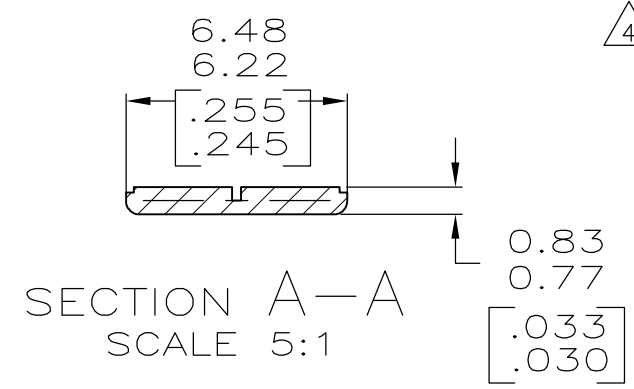
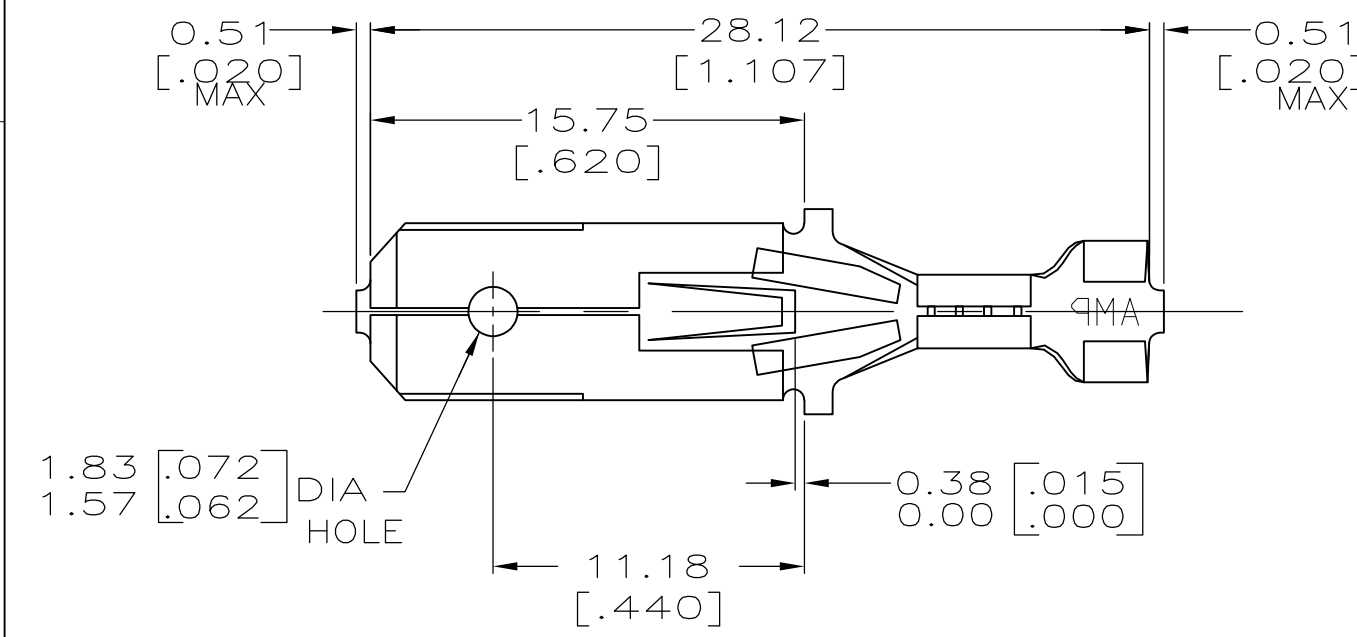


THIS DRAWING IS UNPUBLISHED. RELEASED FOR PUBLICATION  
 © COPYRIGHT - By - ALL RIGHTS RESERVED.

LOC	DIST	REVISIONS			
P	LTR	DESCRIPTION	DATE	DWN	APVD
AF	50	F	REVISED PER ECR-13-005733	22AUG13	KH PD

- 1 SUPPLIED IN LOOSE PIECE
- △3 SILVER 0.003048 [.000120] MIN.
- △4 FOREIGN PRODUCTION ONLY.



OBS  
OBS  
SUPERSEDED BY 42565-2

INSULATION RANGE	WIRE SIZE	FINISH	MATERIAL	PART NO.
3.05-3.68 [.120-.145] DIA	#18-#16 AWG	TIN	082 PHOS BRZ	42565-4
		SILVER △3		△4 42565-3
		TIN	BRASS	42565-2
				42565-1

THIS DRAWING IS A CONTROLLED DOCUMENT.		DWN JR RUTH 2/6/95	<b>STE</b> TE Connectivity			
DIMENSIONS: mm [INCHES]		CHK MS FEHER 2/6/95				
TOLERANCES UNLESS OTHERWISE SPECIFIED:		APVD J GILLESPIE 2/6/95	NAME TAB, FASTIN-FASTON, 6.35 [.250] SERIES			
0 PLC ± -		PRODUCT SPEC				
1 PLC ± -		APPLICATION SPEC	SIZE	CAGE CODE	DRAWING NO	RESTRICTED TO
2 PLC ± 0.38 [.015]		WEIGHT	A3	00779	C-42565	-
3 PLC ± -		CUSTOMER DRAWING	SCALE	SHEET	REV	
4 PLC ± -			4:1	1 OF 1	F	
ANGLES ± -						
MATERIAL SEE TABLE	FINISH SEE TABLE					